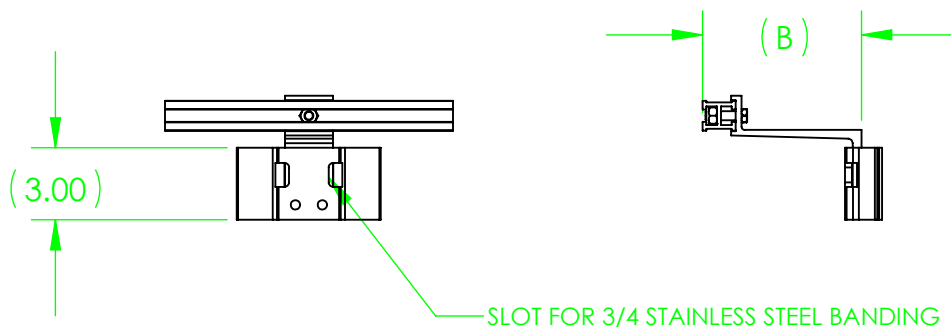
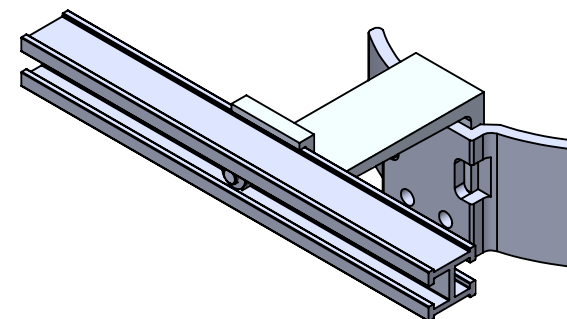
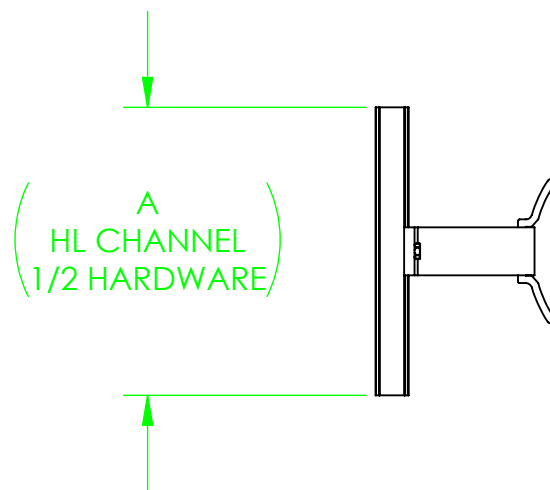


NEHRWESS		A	B
BPBP-6NW-8HL	6-CSO-8	8"	6-5/8
BPBP-6NW-12HL	6-CSO-12	12"	6-5/8
BPBP-6NW-24HL	6-CSO-24	24"	6-5/8
BPBP-6NW-36HL	6-CSO-36	36"	6-5/8



NOTES:
 BPBP-6NW-XXHL IS A ALUMINUM STANDOFF THAT HOLDS CONDUIT 6-5/8 OFF POLE. THE HL CHANNEL USES 1/2 HARDWARE FOR MOUNTING STRAPS

Nehrness Inc.
 1412 E ST. RD. 250 BROWNSTOWN IN. 47220
 WEB PAGE www.nehrwess.com
 PHONE 812-358-4593
 EMAIL: sales@nehrwess.net

DRAWN BY	MATL.	SCALE	CUSTOMER
DATE	RC	DWG. NO. BPBP-6NW-XXHL	PROJECT
QTY	SHEET OF		PART NAME BPBP-6NW-XXHL